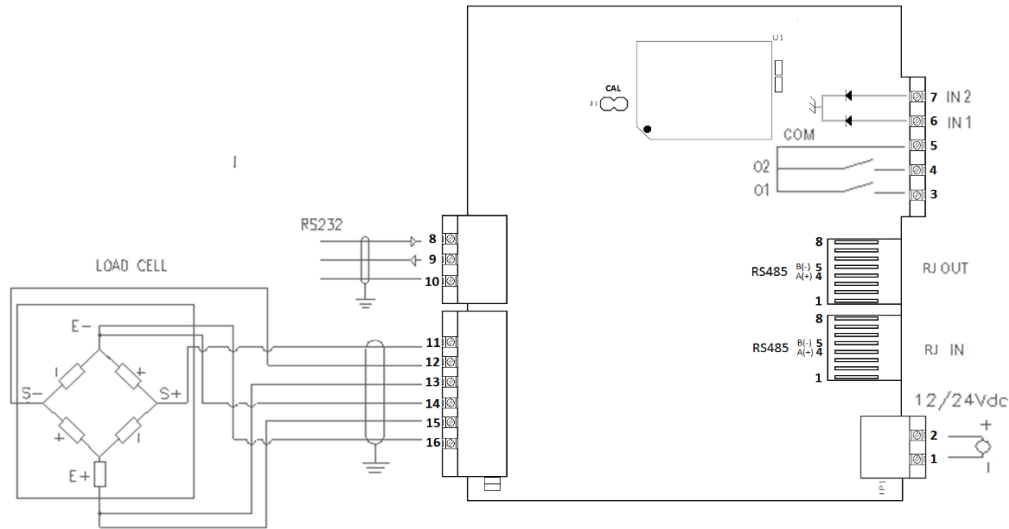


CONNECTION SCHEMES

DGT1S



- **VE 12 / 24 Vdc POWER SUPPLY**

- 1. **GND** 0 Vdc (GND)
- 2. **+Vdc** +12 / 24 Vdc

- **LOAD CELL RECEPTORS**

CELL:

- 11. **SIG+** SIGNAL +
- 12. **SIG-** SIGNAL -
- 13. **SEN+** SENSE +
- 14. **SEN-** SENSE -
- 15. **EXC+** EXCITATION +
- 16. **EXC-** EXCITATION -

- **INPUTS AND OUTPUTS**

Optoisolated Inputs positive logic (12÷24Vdc, 5 ÷ 20mA max):

- 6. **IN1** input 1
 - 7. **IN2** input 2
- Inputs common is normally connected to Ground.

- **SERIAL PORT**

RS 485

- RJ-IN** 485 Line
- RJ-OUT** 485 Line
- Pin 4 = A(+), Pin5 = B(-)

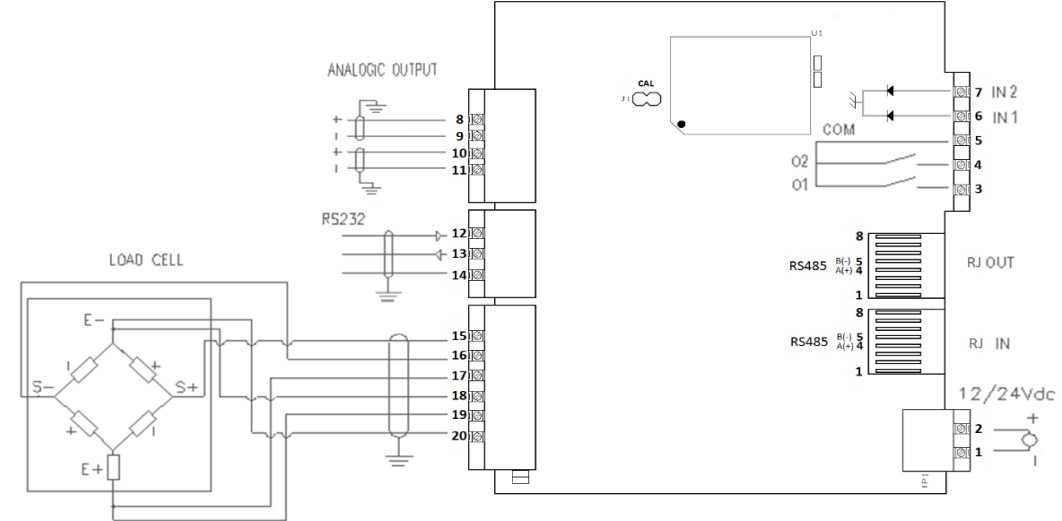
Outputs (48Vac or 60Vdc, 150mA max):

- 3. **OUT1** output 1
- 4. **OUT2** output 2
- 5. **COMOUT** outputs common

RS 232

- 8. **TX** Transmission
- 9. **RX** Reception
- 10. **GND** GND

DGT1SAN



- **VE 12 / 24 Vdc POWER SUPPLY**

- 1. **GND** 0 Vdc (GND)
- 2. **+Vdc** +12 / 24 Vdc

- **LOAD CELL RECEPTORS**

CELL:

- 15. **SIG+** SIGNAL +
- 16. **SIG-** SIGNAL -
- 17. **SEN+** SENSE +
- 18. **SEN-** SENSE -
- 19. **EXC+** EXCITATION +
- 20. **EXC-** EXCITATION -

- **ANALOGUE OUTPUT**

On current:

- 10. **I+** + 20 mA
- 11. **I-** 0 mA (GND)

On voltage:

- 8. **V+** + 10 V
- 9. **V-** 0 V (GND)

Note: the maximum resistance applicable on the output current is 350 Ω and the minimum resistance applicable on the output voltage is 10 kΩ.

- **INPUTS AND OUTPUTS**

Optoisolated Inputs positive logic (12÷24Vdc, 5 ÷ 20mA max):

- 6. **IN1** input 1
 - 7. **IN2** input 2
- Inputs common is normally connected to Ground.

- **SERIAL PORT**

RS 485

- RJ-IN** 485 Line
- RJ-OUT** 485 Line
- Pin 4 = A(+), Pin5 = B(-)

Outputs (48Vac or 60Vdc, 150mA max):

- 3. **OUT1** output 1
- 4. **OUT2** output 2
- 5. **COMOUT** outputs common

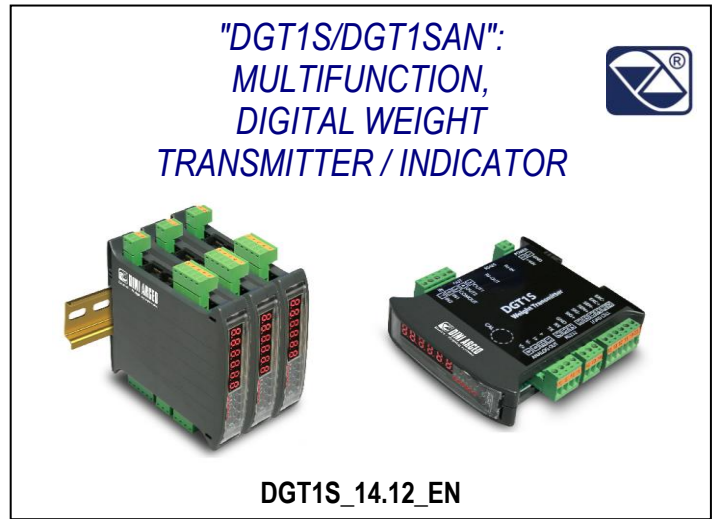
RS 232

- 12. **TX** Transmission
- 13. **RX** Reception
- 14. **GND** GND

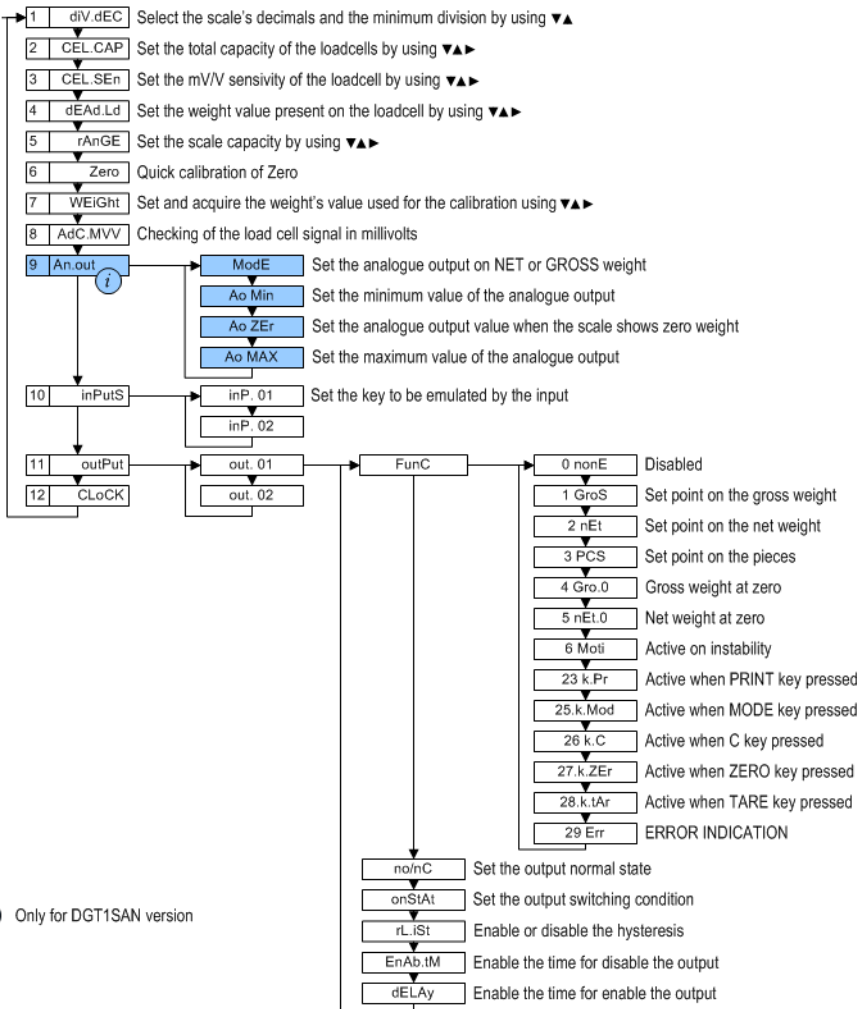
SIMPLIFIED SETUP MENU

To enter it, turn on the instrument and, while the firmware version is displayed, press the MODE key for an instant.

KEY	FUNCTION
ZERO ↓	- In NUMERIC INPUT : decreases the digit to be modified. - In SETUP : scroll down the functions.
TARE ↑	- In NUMERIC INPUT : increases the digit to be modified. - In SETUP : scroll up the functions.
MODE →	- In NUMERIC INPUT : selects the digit to be modified, from left to right.
PRINT ↵	- In NUMERIC INPUT : confirms the entry made. - In SETUP : allows to enter a step or to confirm a parameter inside a step.
C ON/Stb	- ON / STANDBY of the instrument. - In NUMERIC INPUT : quickly clears the present value. - In SETUP : allows to exit a step without confirming the modification

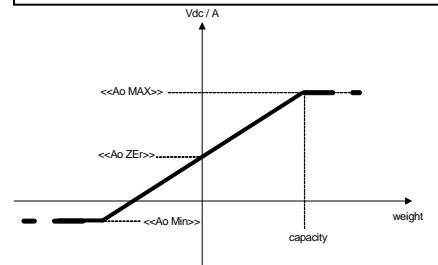


MODE
→



i Only for DGT1SAN version

ANALOG OUTPUT'S GRAPH



SETPOINT VALUE PROGRAMMING

In weighing mode, by pressing the **PRINT** key at length one directly enters the **SETPOINT VALUE PROGRAMMING**. Here it is possible to set setpoint value.

"DEMO MODE" CALIBRATION	THEORETICAL CALIBRATION PROCEDURE	CALIBRATION PROCEDURE WITH WEIGHT
The instrument has a default calibration. This calibration has the follows features: - capacity: 10.000kg; - loadcell sensitivity: 2.000mV/V; - division: 1.	With the steps 1,2,3,4, of the Simplified Setup Menu is possible to make a theoretical calibration.	With the steps 1,5,6,7, of the Simplified Setup Menu is possible to make a standard calibration with a sample weight.
Now press C key. The display will show SAVE? so press PRINT key to exit and save the changes or press C key for exit without save.		

Note:
All function modes and the complete setup environment are described in the user and the technical DGT manuals, available from your dealer.