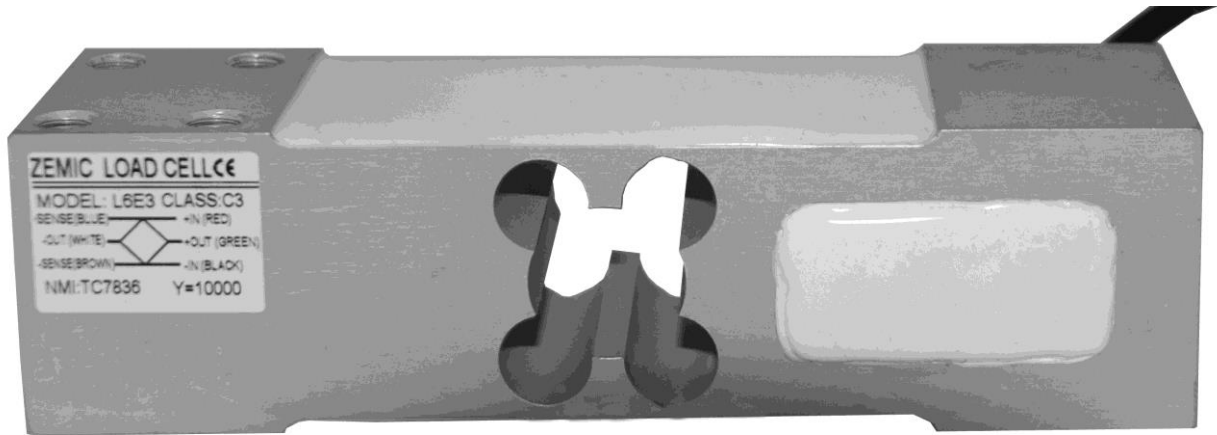



# Type L6E3 Load Cell



## Short description



- Aluminium-alloy IP65 single point load cell.
- Colourless anodized
- Suitable for pricing scales, bench scales, etc.
- Maximum platform size: 450 x 450 mm

 test certificate no. TC7836 Revision 1  
C of C no R60/2000-NL1-10.34

 Certificate no. 11-062

## Available models

Capacity	Accuracy	Full article description
50kg	C3/C4	L6E3-C3/C4-50kg-3G
100kg	C3/C4	L6E3-C3/C4-100kg-3G
150kg	C3/C4	L6E3-C3/C4-150kg-3G
200kg	C3/C4	L6E3-C3/C4-200kg-3G
250kg	C3/C4	L6E3-C3/C4-250kg-3G
300kg	C3/C4/C5	L6E3-C3/C4/C5-300kg-3G
400kg	C3/C4/C5	L6E3-C3/C4/C5-400kg-3G
500kg	C3/C4/C5	L6E3-C3/C4/C5-500kg-3G

Specifications and dimensions are subject to change without notice and do not constitute any liability whatsoever.

# Type L6E3 Load Cell

## Detailed specifications L6E3

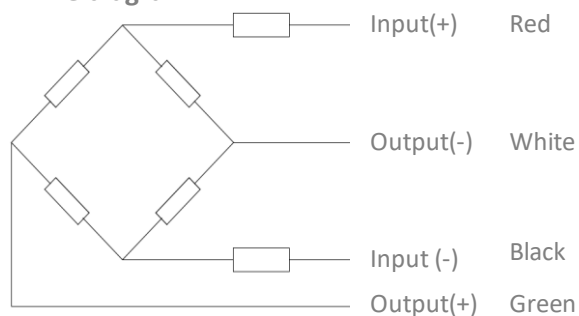
Accuracy class		OIML R60 C3	OIML R60 C4	OIML R60 C5
Output sensitivity ( = FS )	mV/V	2.0 ± 0.2		
Maximum capacity ( E <sub>max</sub> )	kg	50, 100, 150, 200, 250, 300, 400, 500		300, 400, 500
Max.number of load cell intervals	n <sub>LC</sub>	3000	4000	5000
Ratio of min. LC verification interval	$Y = E_{max} / v_{min}$	10000	15000	20000
Combined Error	%FS	≤± 0.0230	≤± 0.0175	≤± 0.0140
Minimum dead load	Of E <sub>max</sub>	0%		
Safe overload	of E <sub>max</sub>	150 %		
Ultimate overload	of E <sub>max</sub>	300 %		
Zero balance	of FS	< ± 2.0 %		
Excitation, recommended voltage	V	5 ~ 12		
Excitation maximum	V	18		
Input resistance	Ω	406 ± 6		
Output resistance	Ω	350 ± 3.5		
Insulation resistance	MΩ	≥5000 ( at 50VDC )		
Compensated temperature	°C	-10 ~ +40		
Operating temperature	°C	-35 ~ +65		
Storage temperature	°C	-40 ~ +70		
Element material		Aluminium		
Ingress Protection (acc. to EN 60529)		IP65		
Recommended torque on fixation	Nm	M8:25		

## Wiring

### Wiring:

Shielded, 4 conductor cable.  
 Cable diameter: Ø5.3mm.  
 Standard cable length: 3m.  
 Shield connected to element.  
 Cable jacket in PVC.

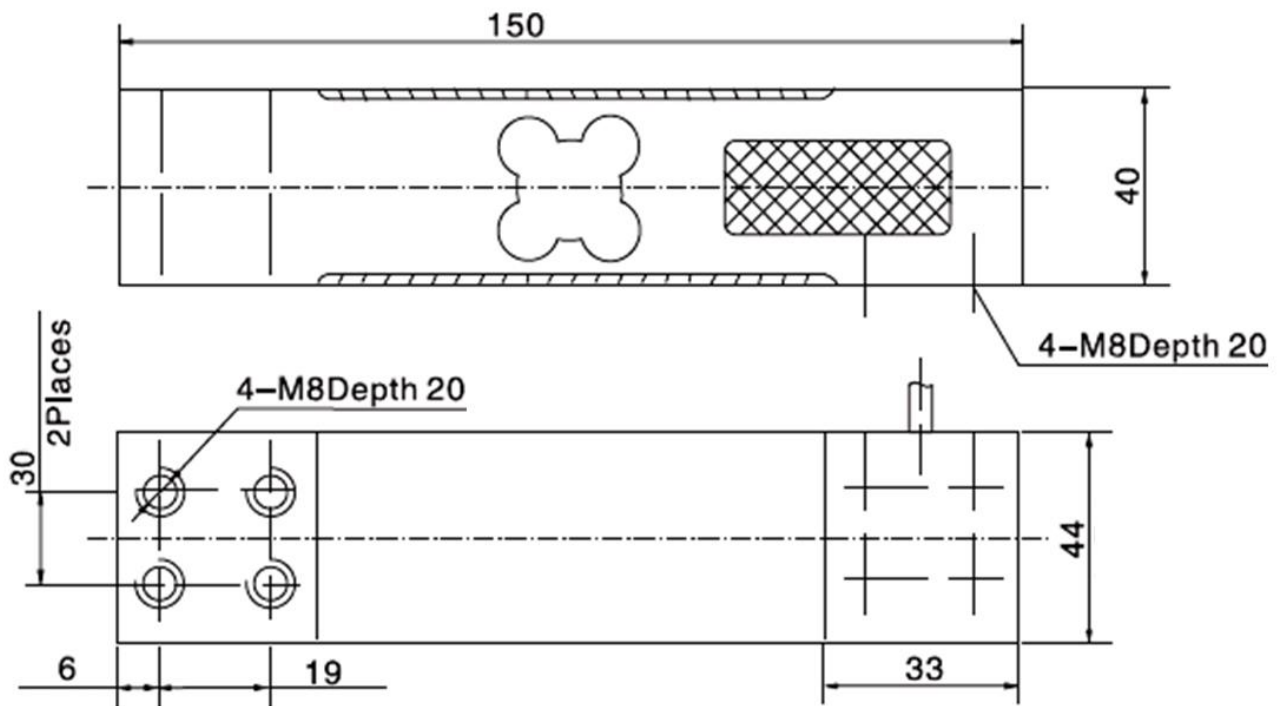
### 4-wire diagram



Specifications and dimensions are subject to change without notice and do not constitute any liability whatsoever.

# Type L6E3 Load Cell

Dimensions in mm



Specifications and dimensions are subject to change without notice and do not constitute any liability whatsoever.