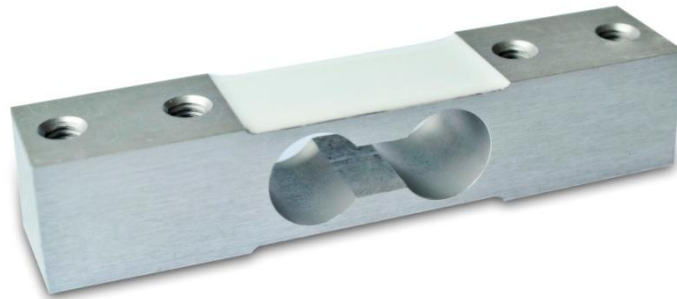


# Type 1Z Load Cell



## Short description



- Aluminium bending miniature sensor
- High accuracy
- Used for platform and price computing scales

## Available models

Capacity	Accuracy	Full article description
5kg	0.03%	1Z-100*20*20-5kg
30kg	0.03%	1Z-100*20*20-30kg

Specifications and dimensions are subject to change without notice and do not constitute any liability whatsoever.

# Type 1Z Load Cell

## Detailed specifications 1Z

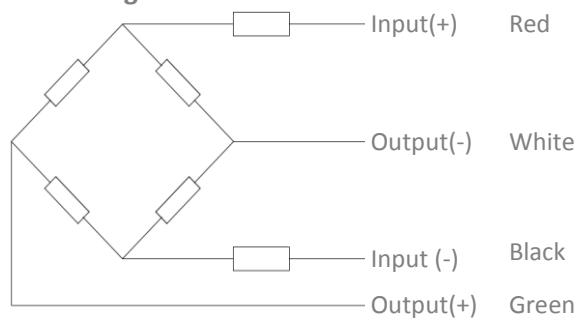
Accuracy class	of FS	0.03%
Output sensitivity ( = FS )	mV/V	2.0±0.1
Maximum capacity ( E <sub>max</sub> )	kg	5, 30
Temperature effect on zero	%FS/10°C	±0.1
Temperature effect on Sensitivity	%FS/10°C	±0.03
Minimum dead load	of E <sub>max</sub>	0%
Safe overload	of E <sub>max</sub>	150 %
Ultimate overload	of E <sub>max</sub>	300%
Zero output	mV/V	± 0.04
Excitation, recommended voltage	V	6 ~ 9
Excitation maximum	V	10
Input resistance	Ω	1055 ± 10
Output resistance	Ω	1000 ± 10
Insulation resistance	MΩ	≥3000 ( at 50VDC )
Compensated temperature	°C	-10 ~+40
Operating temperature	°C	-10 ~ +40
Storage temperature	°C	-20 ~ +65
Element material		Aluminium
Creep	%FS/10 min	±0.03
Non-linearity	%FS	±0.03
Repeatability	%FS	±0.03
Hysteresis	%FS	±0.03

## Wiring

### Wiring:

4 separate conductor cables.  
Standard cables length: 0.25m.

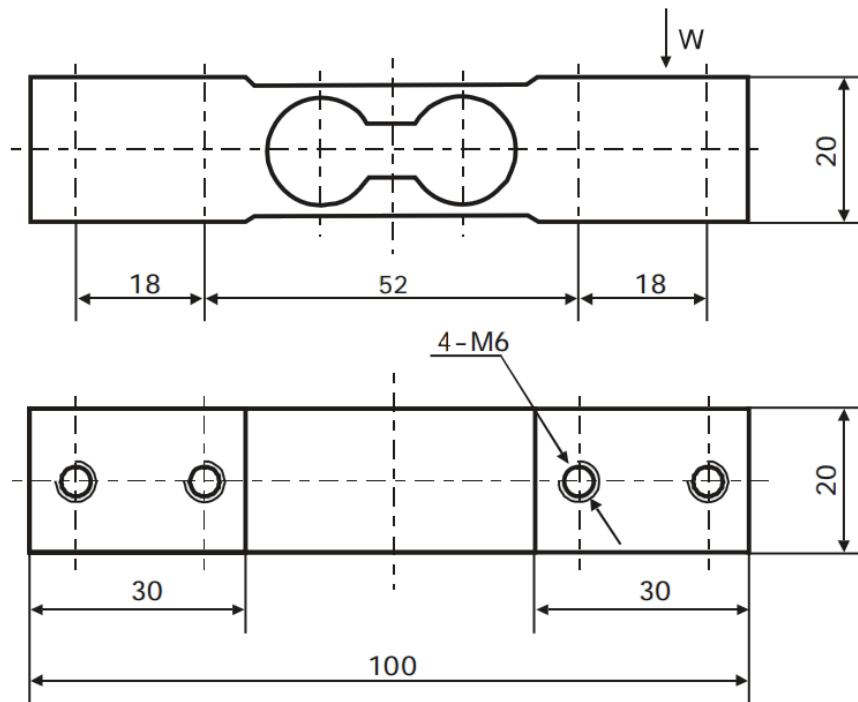
### 4-wire diagram



Specifications and dimensions are subject to change without notice and do not constitute any liability whatsoever.

# Type 1Z Load Cell

Dimensions in mm



Specifications and dimensions are subject to change without notice and do not constitute any liability whatsoever.